

WAT-910HX/RC 1/2" NIR Sensitivity Camera

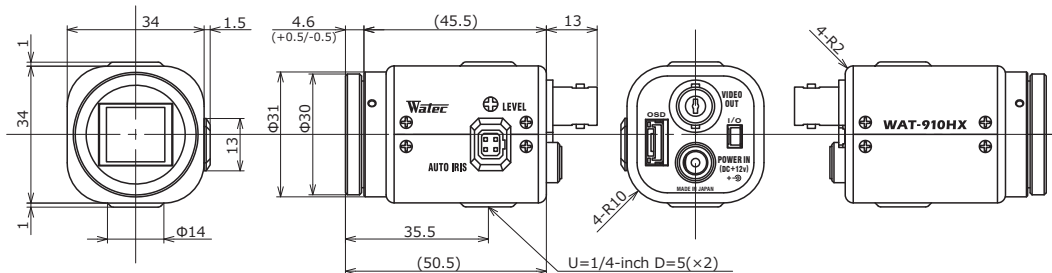
Achieves minimum illumination performance by 1/2-inch high sensitive CCD sensor and our unique circuit design



Key features

- Min. illumination 0.000025 lx. (F1.4, slow shutter mode: 256 fields)
- High quality image without noise under poor light condition
- 3DNR, digital wide dynamic range and slow shutter
- Motion detection, white blemish correction and back light compensation
- Advanced setting available by OSD (On Screen Display) through a controller provided in kit

Dimensions

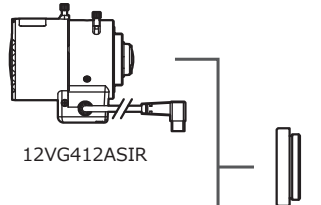


Specifications

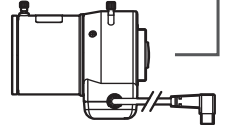
Video standard	EIA	CCIR
Pick-up element	1/2 inch interline transfer CCD image sensor	
Number of effective pixels	768(H) × 494(V)	752(H) × 582(V)
Unit cell size	8.4μm(H) × 9.8μm(V)	8.6μm(H) × 8.3μm(V)
Synchronizing system	Internal	
Scanning system	2:1 interlace	
Video output	BNC: Composite video, 1.0 V(p-p), 75Ω (Unbalanced)	
Resolution (H)	More than 570TVL (Center)	
Minimum illumination	0.000025 lx F1.4 (AGC=HI, γ=0.35, 3DNR ON, Shutter=x256)	
S/N	More than 52dB (AGC=6dB, γ=1.0, 3DNR ON, Shutter=x256)	
Function settings	OSD (On Screen Display) operated by remote controller	
AE mode	Fixed	x2, x4, x8, x16, x32, x64, x128, x256 (field)
		1/60, 1/100 sec. 1/50, 1/120 sec.
	EI	1/250, 1/500, 1/1000, 1/2000, 1/5000, 1/10000, 1/100000 sec. 1/60 - 1/100000 sec. 1/50 - 1/100000 sec.
AGC	ON	(SENSE-UPMAX) - 1/100000 sec. LO: 6 - 30dB / MID: 6 - 34.5dB / HI: 6 - 41dB
	OFF	6 - 41dB (MGC)
Gamma characteristics	γ=0.05 - 0.45 - 1.0 (0.05 step), USER (S-curve)	
Noise reduction	3DNR ON / OFF (Level adjustable)	
Wide dynamic range	D-WDR (Digital Wide Dynamic Range) OFF / USER1 / USER2	
Motion detection	4 areas	
Lens iris	Video / DC	
Back light compensation	OFF / BLC / HSBLC	
White blemish correction	Max 64 dots	
Mirror image	OFF / H-FLIP / V-FLIP / HV-FLIP	
Freeze	ON / OFF	
Digital zoom	ON (x1.0 - x32.0, Magnification selectable) / OFF	
Neg. image	ON / OFF	
Power supply	DC+12V±10%	
Power consumption	1.38W (115mA)	
Operating temperature	-10 - +50°C	
Storage temperature	-30 - +70°C	
Operating / Storage humidity	95% RH or less (Without condensation)	
Lens mount	CS mount (Back focus adjustable)	
Weight	Approx. 85g	
Accessories	WPDC12 (DC plug), AIC-G (Iris plug), Hex. wrench, I/O Cable, RC-01 (Remote controller)	

Accessories
 Options

C-mount lenses / Mount adaptors

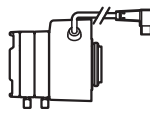


12VG412ASIR
30CMA-R




12VG1040ASIR

CS-mount lenses




HG3Z4512FCS-IR

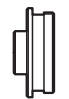


HG3Z1014FCS

Miniature lenses / Mount adaptors

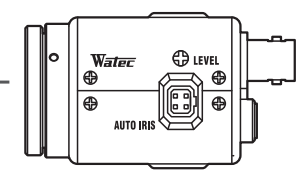


0814BC-12



28MMA-M12-140


WAT-910HX/RC



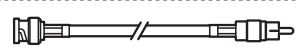
VIDEO OUT (BNC)



Cables




3C2V (BNC/BNC)



3C2V (BNC/RCA)

BNC


RCA



Monitor

※Not in our lineup

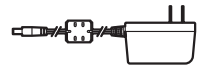
Cable




I/O cable (300mm)

Motion detection

Power supply adaptors

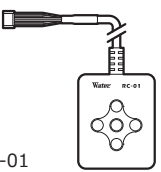


SWI12-12-N-P5



SWI12-12-E-P5

Remote control




RC-01


POWER IN (DC12V)

OSD


Stands



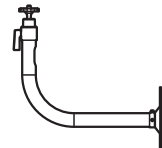
MS50



WH-31




WH-11




WH-21

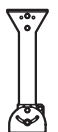
Water resistant camera housing / Mounting brackets



VCHO-15S



WH-6N



PTP-300